

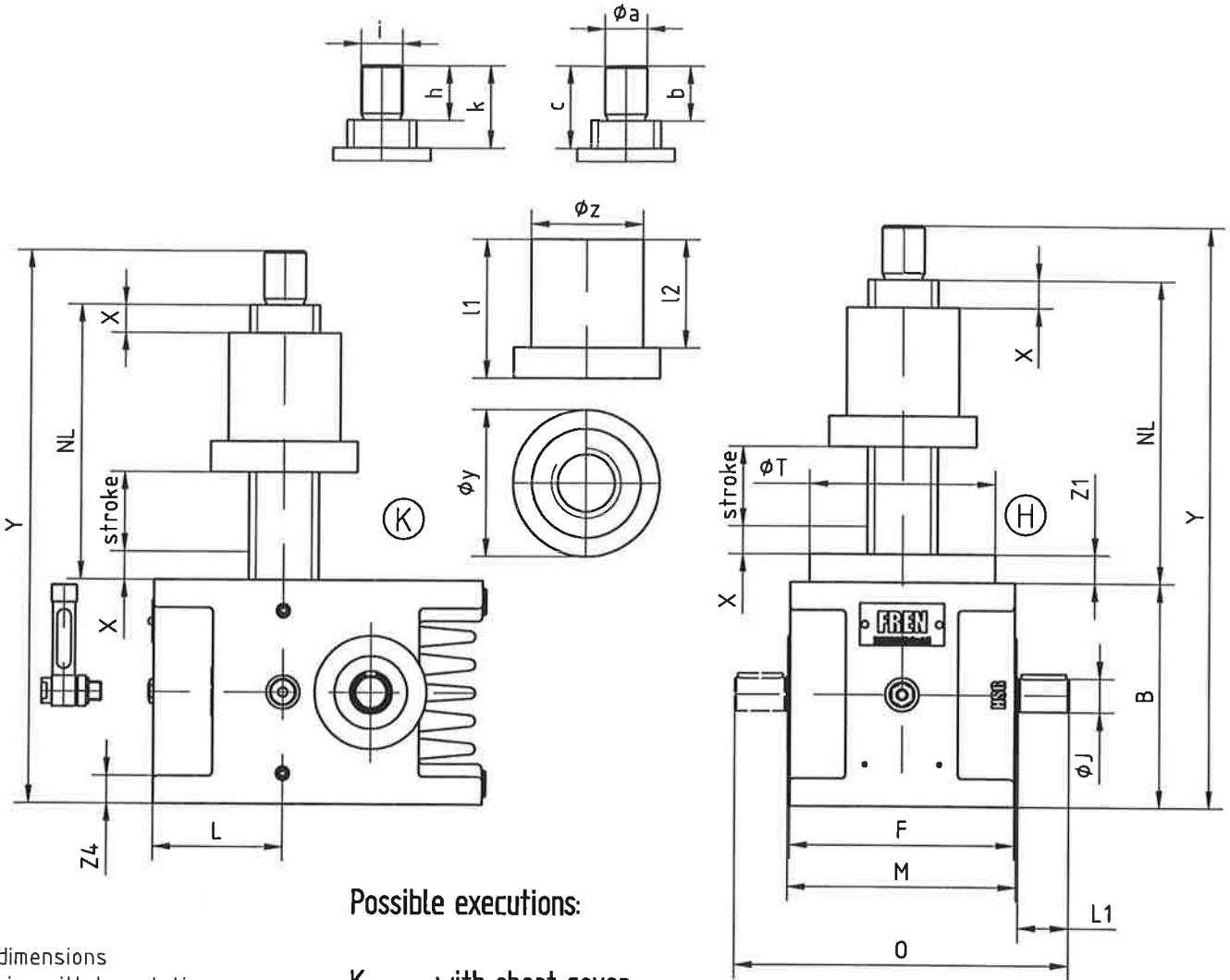


HSG dimensions Traveling nut version

ENZFELDER GMBH
Power transmission- and
lifting engineering

A-2551 Enzesfeld-Lindabrunn
Tel.: ++43 (0) 2256 81287-0
Fax: ++43 (0) 2256 81287-95
E-Mail: office@enzfelder.at
Internet: www.enzfelder.at

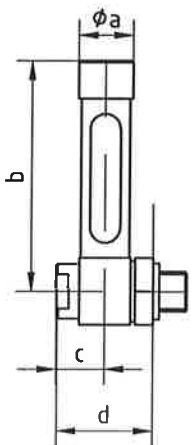
Spindle nose 1 Spindle nose 2



Possible executions:

K_____with short cover
H_____with high cover

Missing dimensions
See version with translating screw



Oil gauges dimensions

Size	31	36	50	63	80	100	125	140	180	200	
ø a					18	18	18	18	18	18	
b	For these sizes we use an oil sight glass				80	100	125	150	200	200	
c					16	16	16	16	16	16	16
d					33	33	33	33	33	33	33



HSG dimensions Traveling nut version

ENZFELDER GMBH
Power transmission- and
lifting engineering

A-2551 Enzesfeld-Lindabrunn
Tel.: ++43 (0) 2256 81287-0
Fax: ++43 (0) 2256 81287-95
E-Mail: office@enzfelder.at
Internet: www.enzfelder.at

Type	31	36	50	63	80	100	125	140	180	200
Lifting screw	Tr 18x4	Tr 22x5	Tr 40x8	Tr 50x9	Tr 60x12	Tr 70x12	Tr 100x16	Tr 120x16	Tr 140x20	Tr 160x20
B	80	105	130	160	200	230	300	350	400	450
C	40	52,5	65	80	100	15	150	175	200	225
F	80	105	130	160	200	230	300	350	420	460
ø J k6	10	14	16	24	32	38	42	50	60	70
L	42	54	67,5	92,5	102,5	117,5	150	180	222,5	250
L 1	15	18	28	36	58	58	82	82	95	105
M	83	108	133	163	204	235	305	355	430	470
NL version "K"	stroke + 85	stroke + 95	stroke + 120	stroke + 140	stroke + 170	stroke + 170	stroke + 200	stroke + 220	stroke + 240	stroke + 260
NL version "H"	stroke + 100	stroke + 111	stroke + 138	stroke + 160	stroke + 195	stroke + 200	stroke + 235	stroke + 260	stroke + 285	stroke + 310
O	116	148	192	238	322	356	474	524	622	682
Q	3x3x12	5x5x16	5x5x25	8x7x32	10x8x50	10x8x50	12x8x70	14x9x70	18x11x80	20x12x100
ø T f7	62	72	92	122	152	182	222	262	332	352
Safety X	20	20	20	20	20	20	20	20	20	20
Y	NL + 97	NL + 129	NL + 169	NL + 199	NL + 249	NL + 284	NL + 379	NL + 449	NL + 509	NL + 569
Z 1	15	16	18	20	25	30	35	40	45	50
Z 4	10	12	15	20	25	28	35	45	55	60

Lifting nut

l 1	45	55	80	100	130	130	160	180	200	220
l 2	35	43	62	78	105	100	115	130	135	140
ø y	50	65	87	105	110	120	190	225	240	260
ø z h9	40	45	70	80	90	90	150	160	180	200

Spindel end 1

h	17	24	29	39	49	54	79	99	109	119
i	M 12x1,5	M 16x1,5	M 20x1,5	M 30x2	M 42x3	M 56x3	M 80x3	M 100x4	M120x4	M140x4
k	37	44	49	59	69	74	99	119	129	139

Spindel end 2

ø a k6	12	15	20	30	40	50	80	95	110	130
b	17	24	29	39	49	54	79	99	109	119
c	37	44	49	59	69	74	99	119	129	139